

**iRIS**  
chains

SINCE  
**1935**

## **Roller chains with V-plate attachments**

Roller chains with V-shape attachments convey cylindrical objects directly on the plate

# Roller chains with V-plate attachments

Roller chains with V-plate attachments convey cylindrical objects directly on the plate. Many assembled chains and components are stocked for quick delivery. Additional market standard and custom-made components can be supplied upon request. V-shaped plates can be spaced as desired upon request.

Available in nicked plate, delta tone, and stainless steel versions.

### SERVICES

Assembled chains **available in stock**

**Specific product on request**

**V-plate attachments distanced as required**

**Chains of any length**

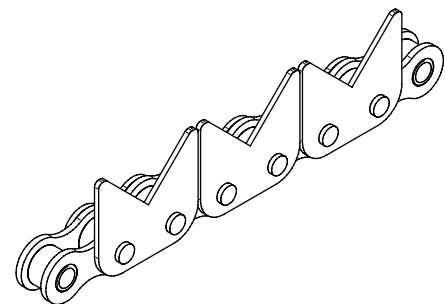
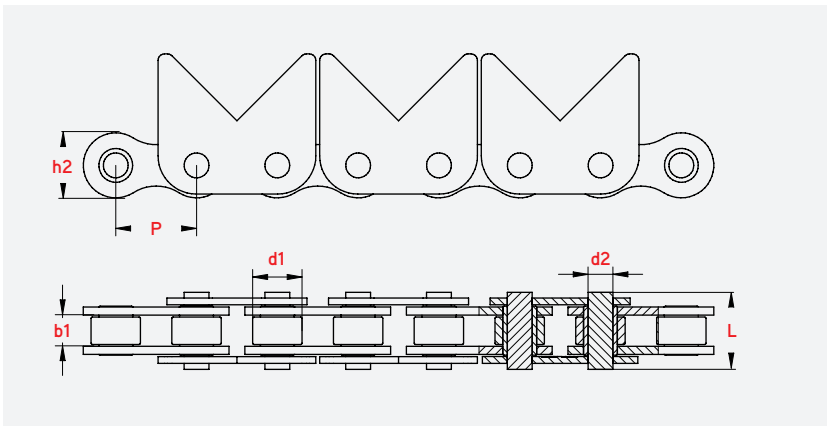
**Matched pairs on request**

*for chains working in parallel*

**Technical assistance**

ISO SERIES				Pitch	Roller diameter	width between plates	Pin diameter	Pin length		Inner Plate height	V-PLATE DIMENSIONS				
											Plate height	Plate width	Plate thickness	V-angle	
DIN/ISO No.	Material	Attachment Type	Ref.	P mm	d1 max mm	b1 min mm	d2 max mm	L max mm	Lc max mm	h2 mm	H mm	h1 mm	W mm	t max mm	A °
06B-1	CS, DT, SS	Type 6	V1201	9,525	6,35	5,72	3,31	13,10	13,80	8,20	25,10	21,00	17,60	1,20	90
06B-1	CS, DT, SS	Type 6	V1202	9,525	6,35	5,72	3,31	13,10	13,80	8,20	18,60	14,50	17,53	1,15	90
06B-1	CS, DT, SS	Type 5	V1203	9,525	6,35	5,84	3,31	13,10	13,80	8,20	22,64	18,54	17,75	1,50	60
08B-1	CS, DT, SS	Type 1	V1901	12,700	8,51	7,75	4,45	16,80	18,80	12,00	21,98	16,00	23,00	1,55	90
08B-1	CS, DT, SS	Type 4	V1902	12,700	8,51	7,75	4,45	16,80	18,80	12,00	26,50	20,15	23,20	1,55	91
08B-1	CS, DT, SS	Type 3	V1903	12,700	8,51	7,75	4,45	16,80	18,80	12,00	20,15	15,05	24,00	1,55	90
08B-1	CS, DT, SS	Type 2	V1904	12,700	8,51	7,75	4,45	16,80	18,80	12,00	22,00	17,50	25,06	1,55	90
081-1	CS, DT, SS	Type 2	V1401	12,700	7,75	3,30	3,64	9,30	10,75	9,90	20,60	15,00	24,00	1,00	90
083-1	CS, DT, SS	Type 2	V1451	12,700	7,75	4,88	3,91	10,25	12,25	12,00	22,00	17,50	24,80	1,05	90
083-1	CS, DT, SS	Type 2	V1452	12,700	7,75	4,88	3,91	10,25	12,25	12,00	22,00	17,50	24,80	1,05	90
084-1	CS, DT, SS	Type 2	V1501	12,700	7,75	4,88	3,91	10,25	12,25	9,00	22,00	17,50	24,80	1,35	90
084-1	CS, DT, SS	Type 3	V1502	12,700	7,75	4,88	3,91	10,25	12,25	10,20	20,15	15,05	24,00	1,55	90
10B-1	CS, DT, SS	Type 6	V2001	15,880	10,16	9,70	5,08	19,50	20,90	14,70	38,00	31,65	29,00	1,60	80
12B-1	CS, DT, SS	Type 6	V2101	19,050	12,07	11,73	5,72	22,50	24,20	16,00	44,60	36,60	38,00	1,80	90

CS CARBON STEEL  
DT DELTA-TONE  
SS STAINLESS STEEL



## V-plate attachments

